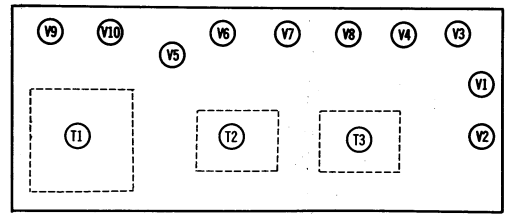
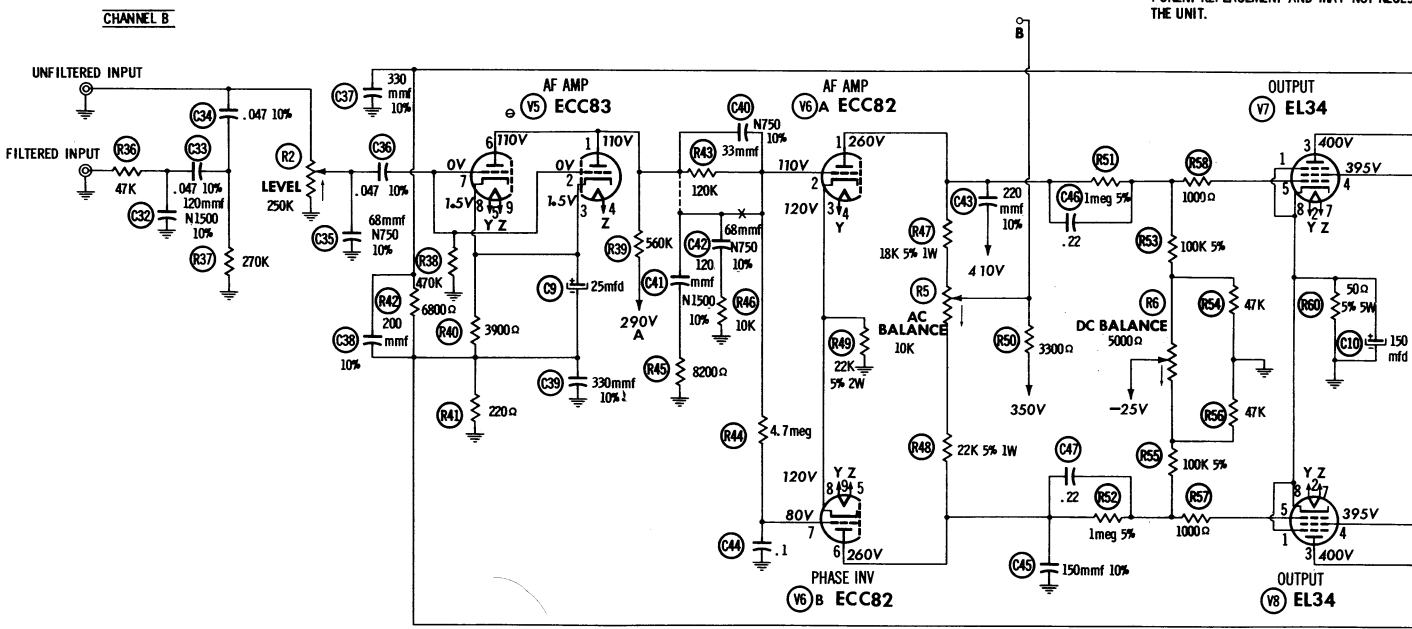
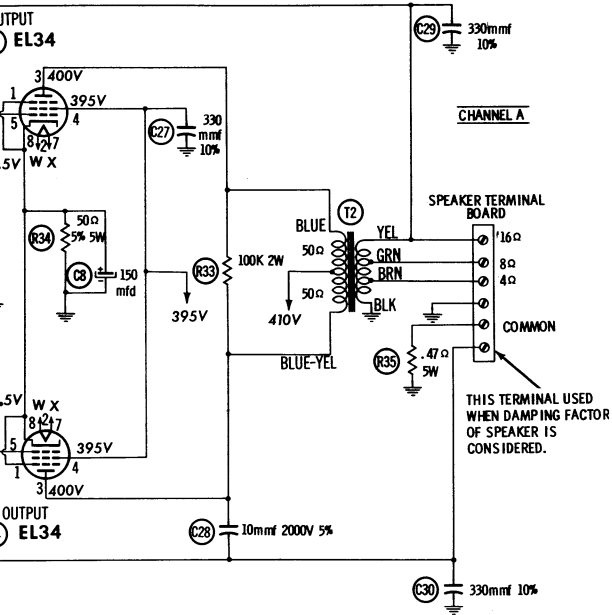


NUMBERS ASSIGNED TO COILS, SWITCHES, & TRANSFORMERS ARE TO FACILITATE CIRCUIT COMPONENT REPLACEMENT AND MAY NOT NECESSITATE THE UNIT.



SEE PARTS LIST FOR ALTERNATE VALUE OR APPLICATION
 DC COIL RESISTANCE VALUES UNDER ONE OHM NOT SHOWN ON SCHEMATIC DIAGRAM
 ARROWS ON CONTROLS INDICATE CLOCKWISE ROTATION (CONTROL VIEWED FROM SHAFT END)



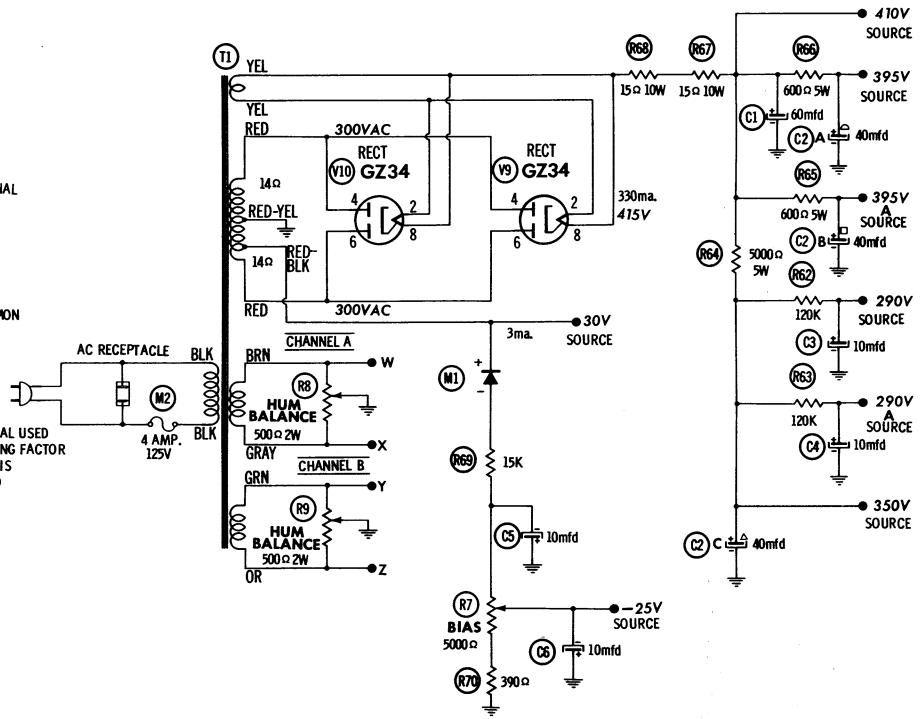
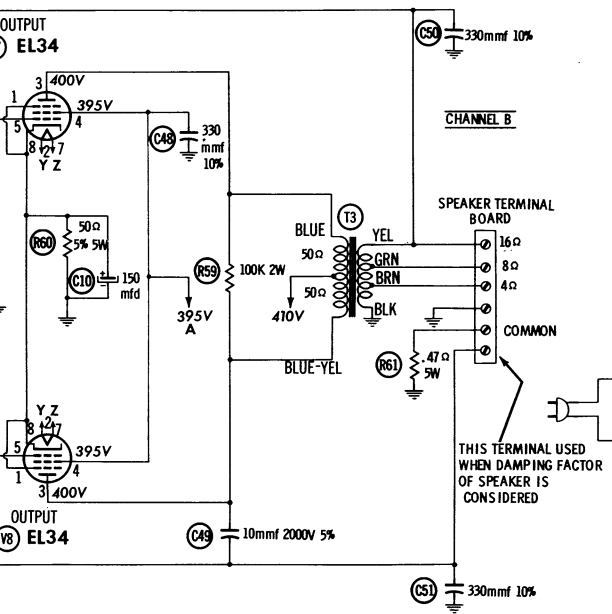
- DC voltage measurements taken with vacuum tube voltmeter; AC voltages measured at 1000 ohms per volt.
- Socket connections are shown as bottom views.
- Measured values are from socket pin to common negative.
- Line voltage maintained at 117 volts for voltage readings.
- Nominal tolerance of component values makes possible a variation of ±15% in voltage and resistance readings.
- All controls at minimum, proper output load connected.

RESISTANCE READINGS

ITEM	TUBE	Pin 1	Pin 2	Pin 3	Pin 4	Pin 5	Pin 6	Pin 7	Pin 8	Pin 9
V1	ECC83	†685K	470K	4100Ω	125Ω	125Ω	†685K	470K	4100Ω	125Ω
V2	ECC82	†33K	†800K	22K	125Ω	125Ω	†35K	†5.4meg	22K	125Ω
V3	EL34	50Ω	125Ω	†80Ω	†630Ω	135K	NC	125Ω	50Ω	
V4	EL34	50Ω	125Ω	†80Ω	†630Ω	135K	NC	125Ω	50Ω	
V5	ECC83	†680K	470K	4100Ω	125Ω	125Ω	†680K	470K	4100Ω	125Ω
V6	ECC82	†33K	†800K	22K	125Ω	125Ω	†35K	†5.4meg	22K	125Ω
V7	EL34	50Ω	125Ω	†80Ω	†630Ω	135K	NC	125Ω	50Ω	
V8	EL34	50Ω	125Ω	†80Ω	†630Ω	135K	NC	125Ω	50Ω	
V9	GZ34	NC	†	NC	14Ω	NC	14Ω	NC	†	
V10	GZ34	NC	†	NC	14Ω	NC	14Ω	NC	†	

† THIS READING WILL VARY DEPENDING UPON THE CONDITION OF THE ELECTROLYTIC IN THE CIRCUIT.
 † MEASURED FROM PIN 8 OF V10.
 NC NO CONNECTION

TO COILS, SWITCHES, PLUGS, SOCKETS, AND
 TO FACILITATE CIRCUIT TRACING OR COM-
 ENT AND MAY NOT NECESSARILY BE FOUND ON



FISHER MODEL
 SA-300